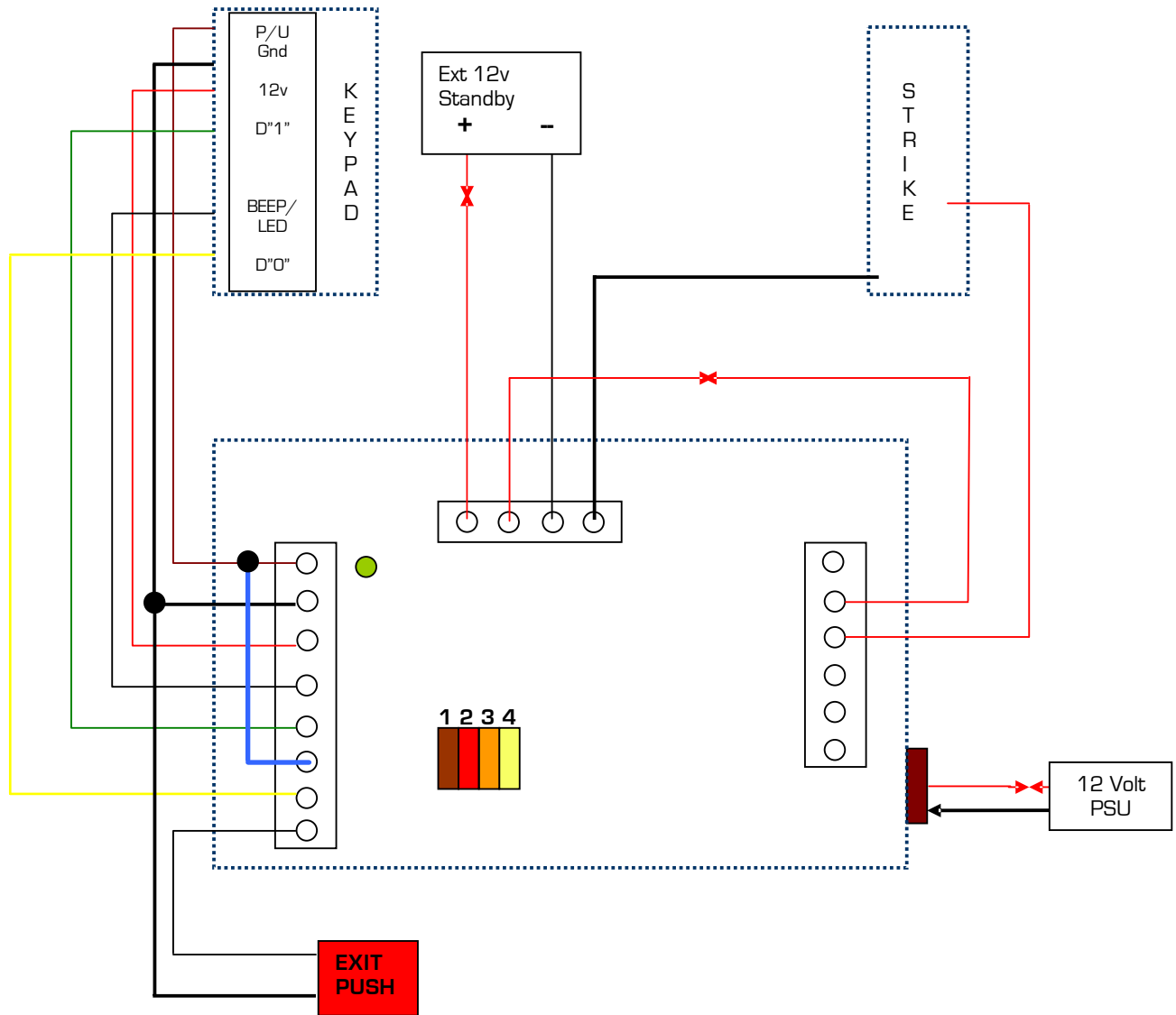


Connecting SLC-1 Controller to Keypad



PL1

- Pin 1 To keypad pin 1
- Pin 2 To keypad pin 2 / To 0 volts / GND
- Pin 3 To keypad pin 3 / To 12 Volts
- Pin 4 LED / Beeper output pin 4, 8 or 6
- Pin 5 To keypad pin 5 DATA "1"
- Pin 6 "Pull Up" connect to pin 1
- Pin 7 To keypad pin 7 DATA "0"
- Pin 8 Exit request

PL3

- PIN 1 Ground
- PIN 2 Ground
- PIN 3 12 v in
- PIN 4 12 v out

PL2

- Pin 1 Relay 1 N/O
- Pin 2 Relay 1 N/C
- Pin 3 Relay 1 Common
- Pin 4 Relay 2 N/O
- Pin 5 Relay 2 N/C
- Pin 6 Relay 2 Common

—X— External 2 amp Fuse

Power supply & Controller must be located on secure side of the installation

Typical configuration and application guide.

Note: Codeguard Security Ltd does not accept responsibility or liability for installation, this application note is for guidance only.